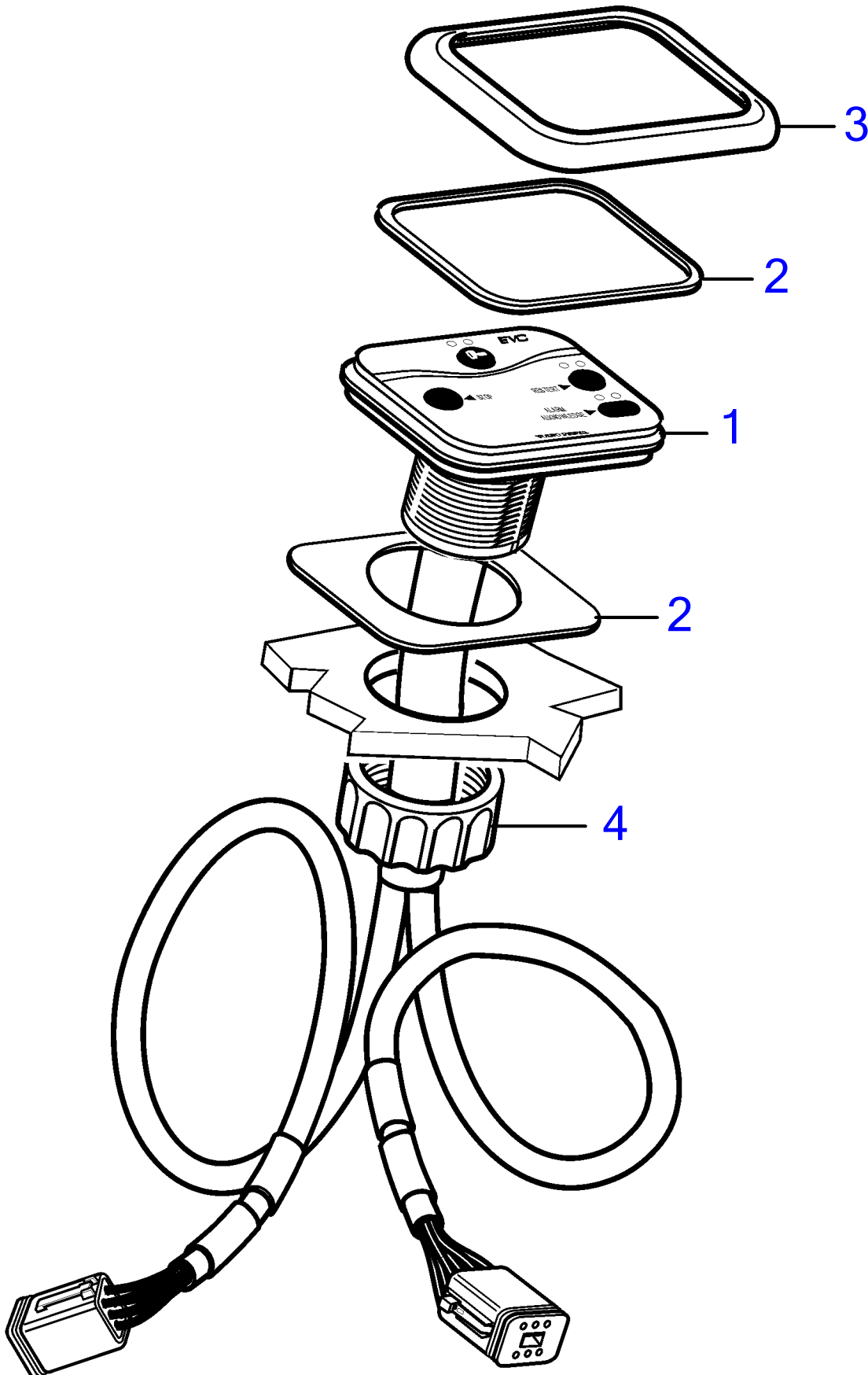


D4-260D-B, D4-260D-C, D4-260D-D, D4-300D-A, D4-300D-C, D4-260D-E, D4-300D-E, D4-300D-D



24464

D4-260D-B, D4-260D-C, D4-260D-D, D4-300D-A, D4-300D-C, D4-260D-E, D4-300D-E, D4-300D-D

REF	PART NO.	QTY	DESCRIPTION	NOTES
1	40005639	1	Control panel	Twin installation
2	3808135	1	• Gasket	Also for flushmounting.
3	3808131	1	• Frame	
4	3808134	1	• Nut	

7746200-30-35153

24464

Upd:2014-07-03